

www.jd-e.cn

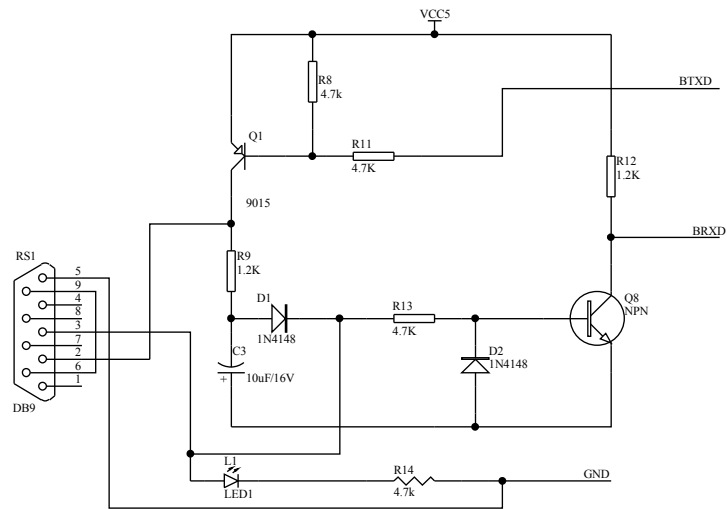
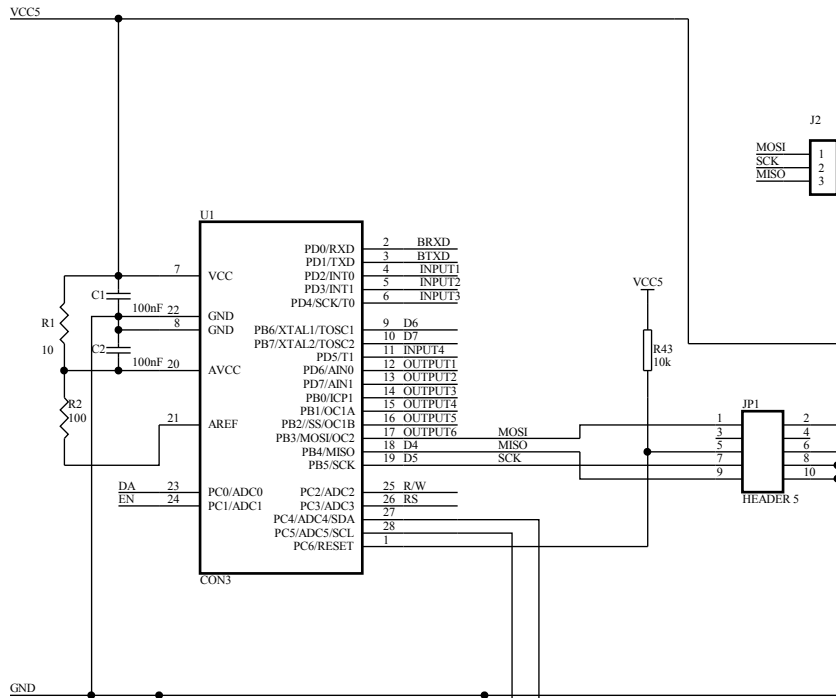
MCU  
MCU.Sch



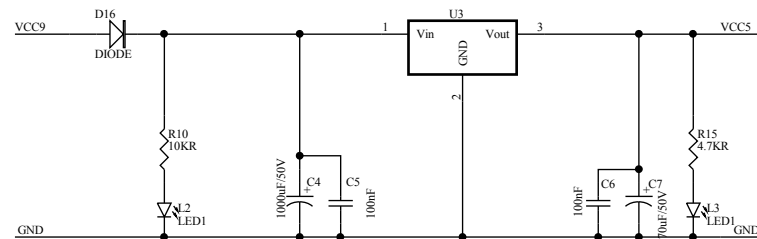
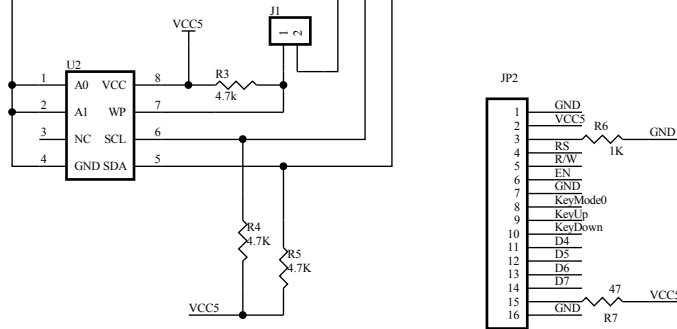
IO  
IO.Sch



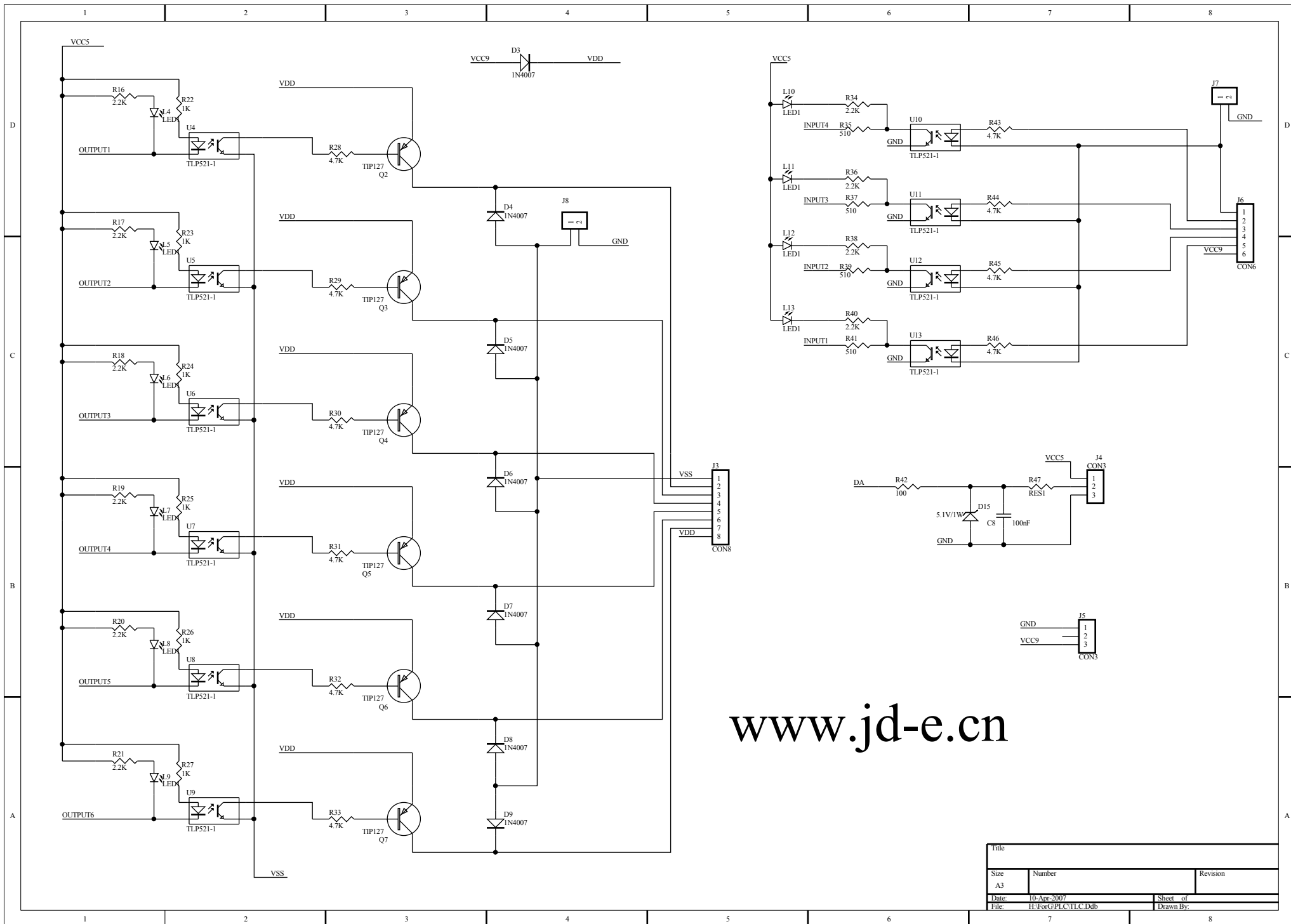
Title		
Size B	Number	Revision
Date: 10-Apr-2007	Sheet of	Drawn By:
File: H:\ForGPLC\LC.Ddb		



www.jd-e.cn



Title		
Size	Number	Revision
B		
Date:	10-Apr-2007	Sheet of
File:	H:\ForGPLC\1LC.Ddb	Drawn By:



www.jd-e.cn

Title		
Size	Number	Revision
A3		
Date:	10-Apr-2007	Sheet of
File:	H:\ForG.PLC\TLC.Ddb	Drawn By: